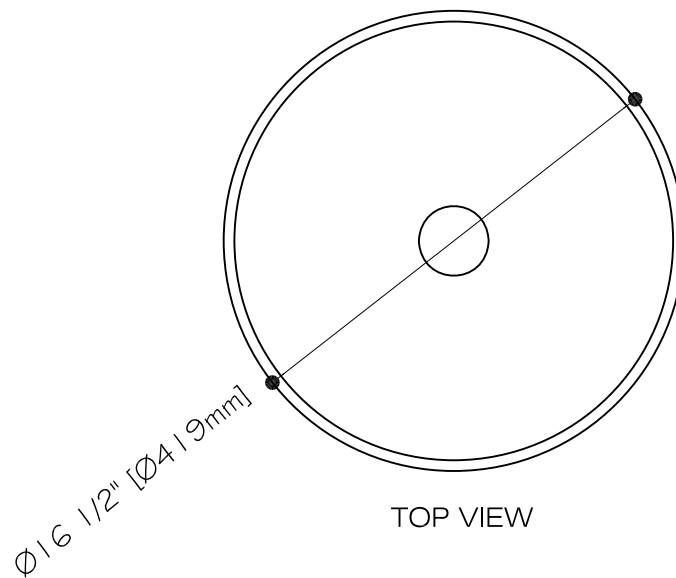


FRONT VIEW



TOP VIEW

NOTE: DRILL HOLL SIZE IN CONTERTOP  $\varnothing 1 \frac{3}{4}$ "[44 mm]

**MODEL VG-07XXX**

THE MEASUREMENTS IN INCHES ARE ROUNDED TO THE NEAREST 1/16"