



SINK SPECIFICATIONS

ELONGATED SINGLE BOWL Undermount Model L102

FEATURED MODEL L106 7" BOWL DEPTH

FEATURES

- 18 gauge, stainless steel
- 18/10 Nickel Content
- Long-lasting, easy-to-clean, satin finish

PACKING LIST

- SINK
- CUT-OUT TEMPLATE

WARRANTY

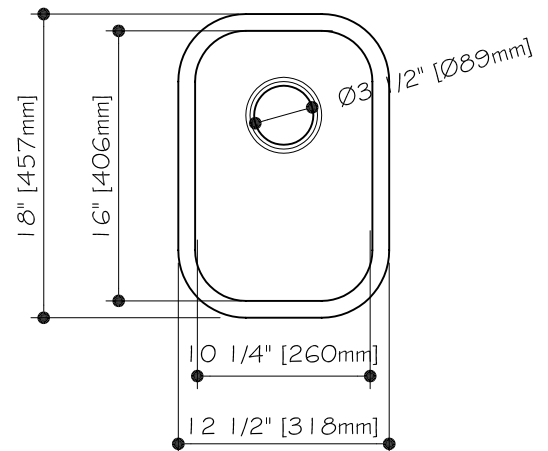
VIGO's sinks feature a "NO HASSLE" LIMITED LIFETIME WARRANTY to be free of all manufacturing defects under normal use. See our complete warranty for details.

While VIGO endeavors to provide accurate information, all dimensions are nominal, cannot be guaranteed, and are subject to change or cancellation. VIGO assumes no responsibility for use of superseded or voided specifications.

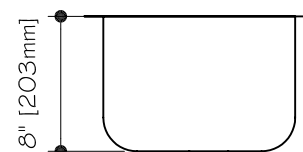


NOMINAL DIMENSIONS

MODEL #	BOWL SIZE	SINK DEPTH	EXTERIOR DIM.	GAUGE
L102	10.5" x 16"	7"	12 1/2" x 18"	18



TOP VIEW



FRONT VIEW

1-866-591-7792

<http://www.vigoindustries.com>